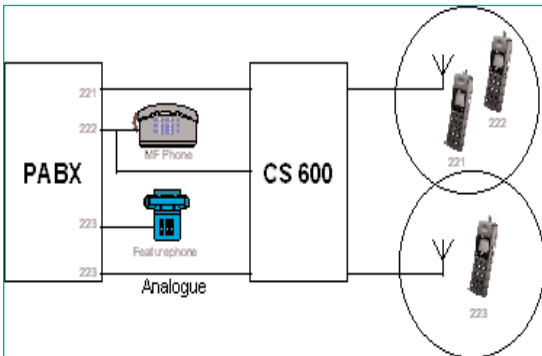


MULTITONE CORDLESS SYSTEMS



CS600 PABX INTEGRATION

The architecture of the CS600 is specifically designed for adjunct operation with any PABX, giving a transparent user interface for cordless users.

This is achieved by each cordless handset having a dedicated line from the PABX to the CS600 controller. The signalling is standard and non-proprietary - exactly the same as a standard LD/MF desk phone. If the telephone system can support LD/MF phones, it can support the CS600.

There are a number of options to achieve integration to allow for different user needs and different PABX's. Except where noted, no hardware or software additions are needed on the PABX.

They are as follows:

1. For those users who are so mobile that they have no desk phone, the cordless user is assigned a phone number and an analogue port on the PABX. If no spare ports exist, then one must be provided by the PABX supplier.
2. For users who want to use a cordless handset as well as a standard analogue LD/MF phone, integration is very simple - the cordless line is wired in parallel with the line to the desk phone. The call is presented to the CS 600 controller at the same time as to the desk phone. If the call is answered on the cordless phone, the desk phone stops ringing, and vice versa. Both phones have the same directory number. No changes are need to the PABX. This form of linking is sometimes known as "Bridge Tap Twinning" or "Plan 1a Wiring" or "parallel connection".

3. For users who want to use a cordless handset as well as a proprietary digital featurephone, the integration can be achieved in two ways. These proprietary 'phones can usually be identified as those with large displays and special feature keys. Note that not all digital phones can be linked with the CS600. Multitone can advise on compatibility.

- a) On many modern PABX's two ports can have the same directory number. This is often called Multiple Appearance Directory Number (MADN). The wired featurephone is connected to a proprietary digital port, and the access line from the CS600 controller is wired to a standard analogue port. Both ports have the same directory number. The calls are presented to both ports simultaneously, and the call handling operates as in 2.

- b) On some PABX's and keyphone systems, MADN is not supported. In this case the access line for the cordless user is wired to a standard analogue port, which has a different directory number. "Call forward on no answer" is enabled at the wired handset; whereby calls are first presented to the wired handset, and if there is no response, they are forwarded to the access line connected to the CS600 controller.



CS600 PABX INTEGRATION

In both (a) and (b) a dedicated standard analogue port is required for each cordless handset, as in method 1. The same considerations apply when, cordless is to be added to a Centrex service. Multitone can assist in identifying the most suitable approach in individual circumstances.

Preparing for a CS600 Installation

Multitone provides turnkey system project management to ensure the CS600 is properly installed, commissioned and tested, and the system supervisor/operator will be fully trained.

The price inclusive of all installation and testing costs (identified as estimate where appropriate) except:

- i) Installation of mains power points. Normally just two points are needed close to the CS600 controller.
- ii) The wiring out of extension ports for cordless to a Demarcation Point. Only the PABX System Maintainer is permitted to perform this task. The Demarcation Point is usually a Krone connector box. Multitone connects each cordless access line to the Demarcation Point.